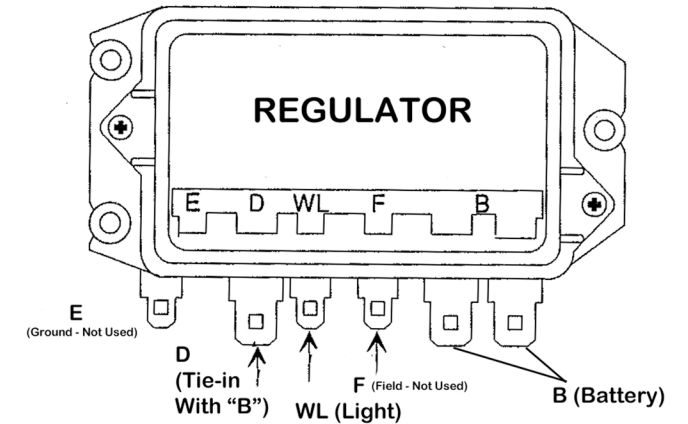
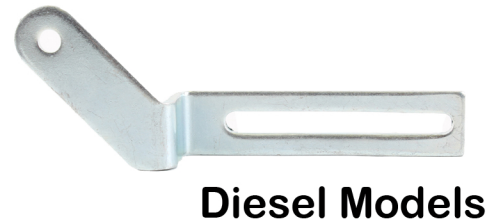
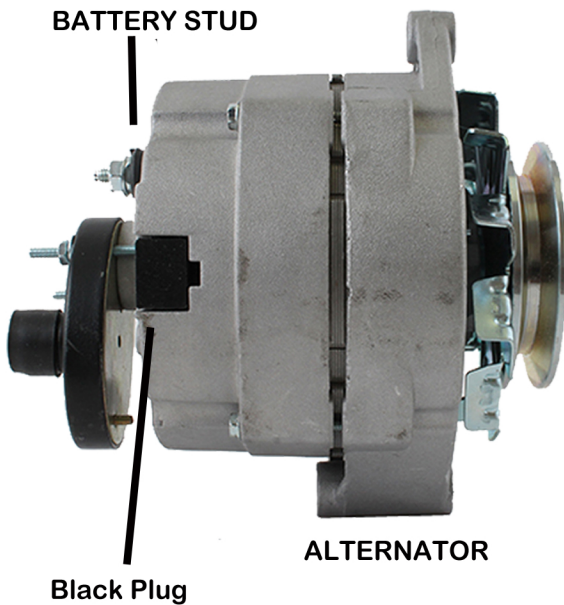


Installation Instructions

Kit #AKT0005

Used on Ford 2000, 3000, 4000, 5000, 7000 Tractors (Gas or Diesel)

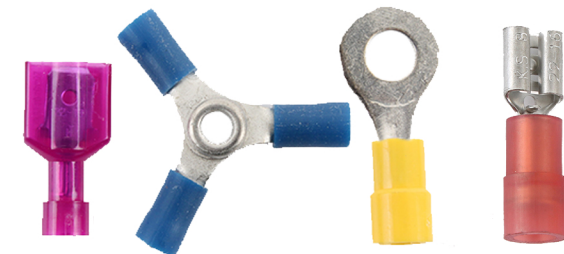
BATTERY



1. Remove the ground cable from battery

2. Remove the wires from Terminals D, B and B
3. Cut off the connectors from these 3 wires and join them together using the 3-way connector provided. Carefully tape this connection completely.
4. Remove the wire from the warning light terminal (WL) and crimp the red female spade connector to the end of this wire. Crimp the red male spade connector to the black wire of the harness included with the kit, then join the 2 connectors together. Tape this completely.
5. Remove the ground and field wires (not used) and discard the regulator.

6. Remove the old generator and brackets from the tractor.
7. Install the new alternator. The GAS models will use the straight adjusting bracket, while the DIESEL models will use the offset adjusting bracket.
8. The GAS models mount above location on head boss, while DIESEL will mount on radiator gooseneck bracket.
9. Remove the black plug from the alternator, exposing the 2-pin terminal. Plug in the harness from the kit into the alternator plug. The red wire attaches to the alternator battery stud. The black wire is already attached to the light (see step 4).
10. Use the yellow ring terminal in the kit to replace the terminal on the battery cable, and attach to the battery terminal on the alternator.
11. Re-attach ground cable on battery.



Terminals Included